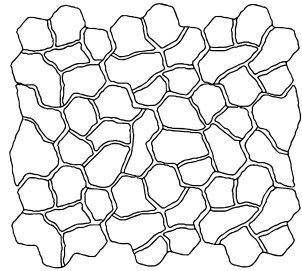







DUCON NATURAL STONE (DNS)

Description: Paver Texture: Riven

PATTERN OVERVIEW



Specification Per Pallet	Imperial	Metric
Cubing	96.84ft ²	9.00m ²
Approx.Weight	388.95 Lbs	1764.kg
Number of Row	10	8
Coverage of Row	9.68ft ²	0.90m ²

	Unit Dimension	mm
	Height	60
	Width	Variable
	Length	Variable
	Height	60
	Width	Variable
	Length	Variable

Appealing to the eye and hard-wearing, the DNS Paver is an ultimate choice for anyone with a desire for a concrete yet nostalgic outdoor ambience! Outstanding strength and durability makes it an ideal option for busy areas and decorative streetscapes.

JOINT WIDTH: VARIABLE
% OF SURFACE OPENING: Variable

TERRA



DUNE



www.duconodl.com

